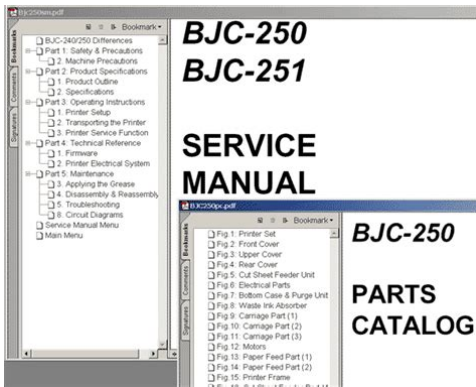


# Canon bjc-250 service manual



**File Name:** Canon bjc-250 service manual.pdf

**Size:** 3866 KB

**Type:** PDF, ePub, eBook

**Category:** Book

**Uploaded:** 17 May 2019, 15:44 PM

**Rating:** 4.6/5 from 746 votes.

**Download Now!**

Please check the box below to proceed.



I'm not a robot



reCAPTCHA  
Privacy - Terms

## Book Descriptions:

# Canon bjc-250 service manual

BJC-250

Part 3: Operating Instructions

## 1. PRINTER SETUP

### 1.1 Equipment Check

After unpacking, make sure the items below have been included:

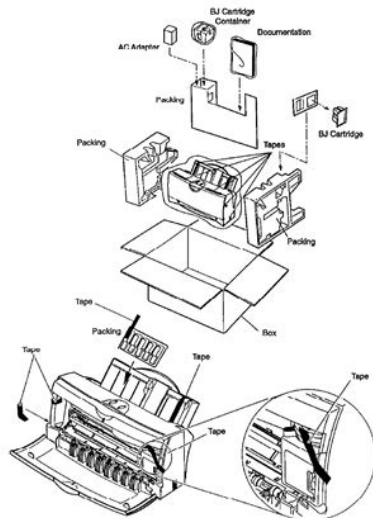


Figure 3-1 Packaging

3-1

Please do not offer the downloaded file for sell only use it for personal usage. Looking for other manual For this no need registration. May be help you to repair. You could suffer a fatal electrical shock. Instead, contact your nearest service center. Note! To open downloaded files you need acrobat reader or similar pdf reader program. In addition, Also some files are djvu so you need djvu viewer to open them. These free programs can be found on this page needed progs If you use opera you have to disable opera turbo function to download file. If you cannot download this file, try it with CHROME or FIREFOX browser. Translate this page Relevant PRINTER forum topics Canon DR2020U lapolvasoba CCFL cso kene de milyen Udv. Ez nem nyomtat csak szkenele de gondoltam itt volna a legjobban a helye. Szoval a fenti kis dog rogzito retsz kioldas hibara panaszkodik pedig az ki van oldva es semmi erintkezoje nincs is. Szetszedtem ellenoriztem szan konnyen megy tukrok tisztak. Gyanitom a CCFL cso gyengelkedik mivel volt, hogy bekapcs utan meg sikerult egyet szkenele de utana hunyorogni kezdtek a csovek. Van valakinek rajza vagy tudja mifele cso valo ebbe a masinaba Koszi Laci Canon LBP3360 firmwart keresek Udv. Ez az a nyomtato ami a HP1320 teljes koppintasa, csak kijelzot kapott es mas a programja. Kicsit megkergult ezert cserelnem a progijat. Ja es ha valaki tudna a default beallitast az is segitseg lehetne. Koszi laci i865 canon nyomtato Udv Kollegak! Canon i865 tipusu nyomtatohoz keresek tapegyseg rajzot. A Tanyan levo smben nincs benne. Az is segitene, ha tudnam, hogy a taprol mennyi feszultseg jon le stbyban. Koszonettel. El. Canon i865 A fenti nyomtato tapjanak kapcsolasi rajzat keresem, vagy kaphato e tap kulon. Similar manuals You can write in English language into the forum not only in Hungarian. Translate this page Relevant PRINTER forum topics Canon iP2000 Sziasztok! A fenti nyomtato hasznalt tinta tartalyat,hogyan tudom reszetelni.<http://sapphireglobalschool.com/userfiles/dodge-caravan-repair-manual-free.xml>

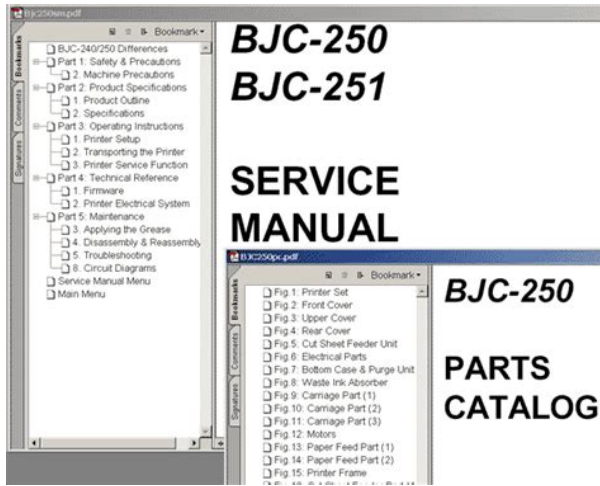
- 1.0.



FIGURE 1 PRINTER SET		FIGURE 2 FRONT COVER	
NUM. PART #	DESCRIPTION	NUM. PART #	DESCRIPTION
1-1	QH-9173-000 AC ADAPTER 130V 60HZ OUTPUT 15VDC, 1.0A	2-1	Q05-0072-000 FRONT COVER UNIT (WITH SPUR)
	QH-9174-000 AC ADAPTER 220-240V 50HZ OUTPUT 15VDC, 1.0A	2	QB1-1992-000 SPUR
	QH-9175-000 AC ADAPTER 240V 50HZ, UK OUTPUT 15VDC, 1.0A	3	QB1-1028-000 SPUR SHAFT
	QH-9176-000 AC ADAPTER 240V 50HZ, AUS OUTPUT 15VDC, 1.0A	4	QB1-0264-000 LABEL, INSTALL
2	NPN BLACK BJ CARTRIDGE PACK	5	Q36-4266-000 PLATE, LOOD
	NPN COLOR BJ CARTRIDGE PACK	6	QB1-0948-000 PLATE, MODEL NAME
	NPN COLOR BJ CARTRIDGE PHOTO PACK		
3	NPN BJ CARTRIDGE CONTAINER		

1 of 9

Canon PRIXMA MP220 megoldva Udv mesterek. A fent említett nyomda az enyem. Mar talan egy honapja is van annak, hogy kifogytak a festekpatronok,,40 es 41. Vettem is bele de a szines helyett nem originalt hanem kinait. Eddig mukodottis rendben csak a szines patron tartalmat nemjelezte, ami nemnagyon zavart. De most megmakacsolta magat es hiaba minden meg feketen se nyomtat. Azt irja ki, hogy a szines patron ismeretlen es nemnyomtat. Tudnatok rajtam segiteni. Kilehet valahogy jatszani hogy elfogadja a szines patronomat isA cimben említett nyomtato nem csinal semmit a tapot leellenoriztem es jo,ha elinditom minden feszultseg 16v,24v,32v megvannak.Van valakinek tapasztalata nyomtato javitasbanelore is koszonom. UdvMitu Similar manuals You can write in English language into the forum not only in Hungarian. The BJC250 Series printers offer excellent print quality and fast print speed using both color and black inks. We are certain you will be satisfied with this advanced Bubble Jet technology. If supplies are not available from your local dealer, you can order directly. If you do not have access to the Web, you. You must install the BJC250 Printer Driver for windows before you can use the printer with your computer. See your Quick Start Guide for instructions. From the Printers folder, you can select the printer and then select the Properties command from the File menu. From the Printers folder, you can select the printer, click the right mouse button, and then select Properties from the drop down list. General Windows 95 only This tab allows you to add comments regarding the printer driver and print test page or a separator page. It also allows you to turn off the printer after a certain period of inactivity. The printing options on this tab are the. To move between the Windows tabs, click on any of the tabs. To save the settings and exit, click the OK button. On the Setting tab, click on the green check to enable the Setup Analyzer.<http://vnmmalta.com/userfiles/dodge-caravan-owners-manual-2008-pdf.xml>

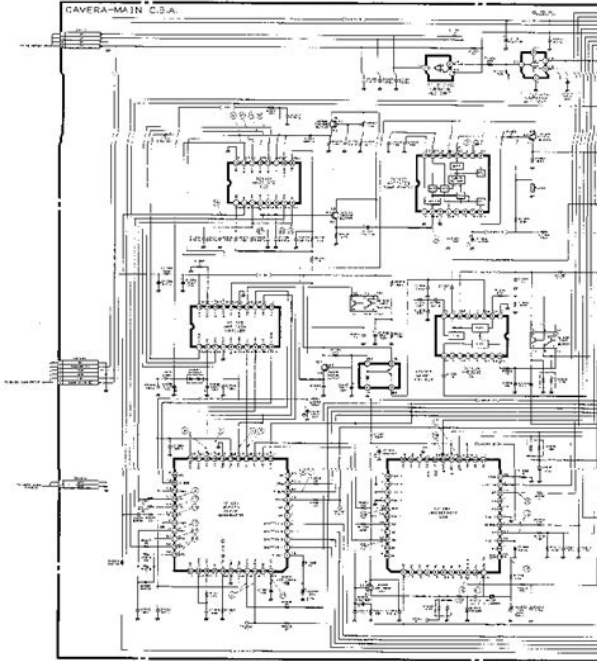


You now have a color cartridge installed in your printer. For faster printing speed, change the color cartridge to the monochrome cartridge. In the BJC250 Printer Driver for Windows, choose the following settings to tell your printer to print using black ink only. The printer will need to image fewer dots. Use Plain Paper as Media Type. The print head will make only one pass for each printed line. You can stack paper in the sheet feeder to load it automatically, or you can manually feed one sheet at a time. Use this paper with the BC06 Photo BJ Cartridge to produce photorealistic prints from your printer. Greeting Cards Get the most out of your Canon Creative or other card making software with Canon Greeting Cards GC101. These cards give your unique, personalized cards the look and feel of professional cards. Do not use thicker paper than meets the specifications for this printer. Printing with a paper that is thick enough to come in contact with the print head nozzles may. Set the lever according to the thickness of the paper you are using Left Plain Paper High Resolution Paper Bubble Jet Paper Transparencies Back Print Film. You place approximately 100 sheets of plain paper 20 lb. Fan the For best results, fan the paper before loading it. Always fan a stack of paper along the edge that will paper. Secure the stack with the paper guide stack of paper into the sheet feeder until it stops Start your print Make sure that the printer is turned on. operation. Start your print If you are using Windows, you must select Manual Feed in the BJC250 operation. Printer Driver for the printer to accept manually fed paper. Hold the sheet for about two seconds until it feeds automatically. You may be able to stack envelopes of other sizes in the sheet feeder; however, Canon cannot guarantee consistent performance on envelope sizes other COM10 and DL. The following envelopes are not recommended because they may cause jams or smears, or may damage your printer.

Prepare the Arrange the stack of envelopes on a firm surface and press down firmly on the edges to make the folds crisp. envelopes. Press all the way around the envelopes to remove any curls and expel air from inside the envelopes. Align the edge of the paper guide with the left edge of the stack of envelopes. envelopes. Start your print Make sure the printer is on. operation. Specialty Paper Guidelines Be sure to read any instructions that come with your Canon Specialty Paper. These instructions provide important information regarding how to achieve the highest print quality with these papers. Roll the film and paper up in the direction opposite the curl. This paper is specially coated to produce delicate color output. After using a package of High Resolution Paper 200 sheets, you need to use the cleaning sheet enclosed with the paper to remove paper dust from the printers rollers;. Insert the fabric Insert the sheet with the sheet. In the graphics tab, select High for the Print Quality. Printer Driver Start the print operation from your Windows application. To set up a print job on banner paper, you must decide on the number of sheets you need. You can print banner from 2 to 6 sheets in length. Use both hands to paper open the front cover. Cut the Banner at the crease The maximum length you can according to use is six sheets 66 inches or 1676 mm. Then adjust the paper guide to the edge of the paper. Do not allow the. From the File Menu, select Print. Then select your print options using the BJC250 Printer printer Driver for Windows. driver. Start Click OK or Print to

start the print job. It includes Printer guidelines Cleaning the printer Printing the test pages Cleaning the print head BJ cartridge guidelines Replacing the BJ cartridge Storing a BJ cartridge Transporting the printer. Do not unplug the printer or turn off a power strip to which the printer is attached when the printers power is turned on.

SCHEMATIC DIAGRAM CAMERA-MAIN C.B.A.



01 May. 1991

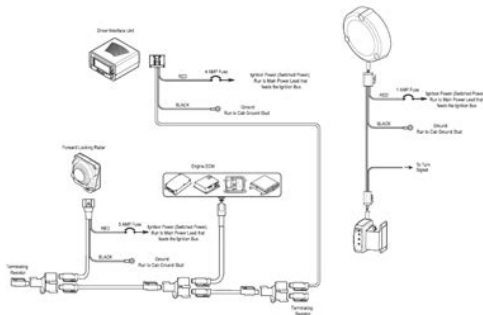
<http://schlammatlas.de/en/node/16326>

This may prevent the print head unit from returning to the home position on the right and being capped, which may cause the print head to dry out. Perform the following maintenance, as necessary, to keep your printer in good operating condition. Make sure the printer is turned off before cleaning it. It is a good idea to unplug the AC adapter also. Test A This test prints a repeating pattern of characters. When the BC05 Color BJ cartridge is installed, the pattern includes the three colors yellow, magenta, and cyan. In the color pattern, you'll notice that lines are missing between the colors. This is normal. The following sample shows the nozzle test when the optional BC02 Black BJ cartridge is installed. Before selecting a Tests option, make sure paper is properly loaded in the sheet feeder see Automatically Feeding Paper starting on page 37. Press and hold the POWER button until you hear the number of beeps that correspond to the test page you want to print. Cleaning the Print Head From Windows If you are using Windows, you can execute print head cleaning from the Control sheet in. Unnecessary and repetitious cleaning will waste ink. If you execute the print head cleaning while paper is manually loaded, the printer will eject the paper and then perform the cleaning. Canon does not prohibit the use of thirdparty inks and the use of thirdparty inks does not invalidate the products limited warranty. Spilled ink can stain any surface. Open BJ cartridges carefully, and follow the guidelines presented here to protect against spilled ink. Follow the instructions in this section to replace an old BJ cartridge or to change BJ cartridges when you are switching between the BC05 and any of the other BJ cartridges. BJ cartridge. If you are switching cartridges, you must store the cartridge you are removing in the Ink Cartridge Storage Box. Take the new BJ Peel off the protective foil.

Appendix 5

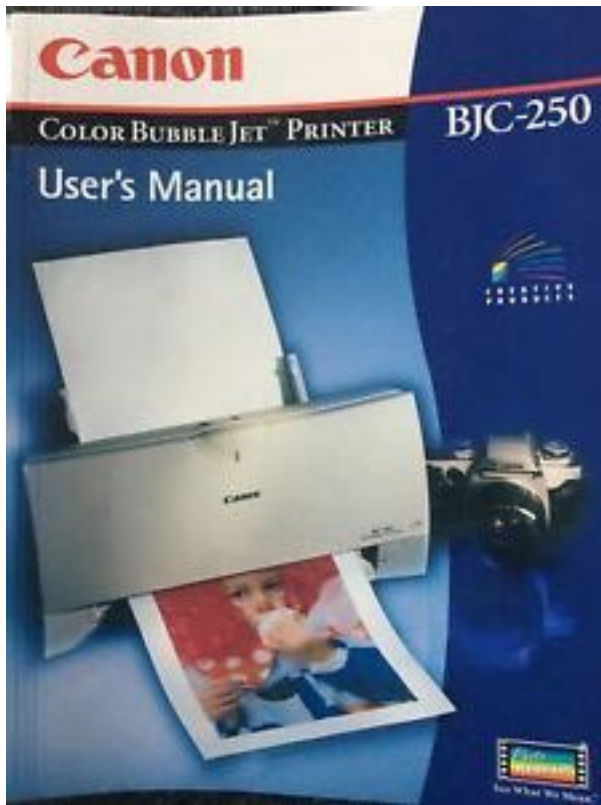
5. Wiring Diagrams

Collision Warning System with Side Object Detection



If you unplug the printer while it is printing or if you turn off a power strip to which the printer is connected, or if you manually move the cartridge holder from the home position, the BJ cartridge will not be capped and it may dry out. Open the Ink When opening or closing the Ink Cartridge Storage Box, press in on the release tab that locks the cover in place. If you have more than one Ink Cartridge Storage Box, you can hook them together. If you plan to move the printer from one location to another, or if you want to store it, follow the steps below. See Getting Help From Canon in Chapter 1 page 15 for details on Canons customer technical support options. Turn off the Press the POWER button printer. Remove Gently pull the paper out jammed with one hand while holding down the printer paper. Show all Devices Printer Port Click OK Click OK Close Reboot If these suggestions do not solve the problem, you need to call Canon see page 15 for details. Service manuals usually include printed circuit boards, block diagrams, exploded views, assembly instructions and parts catalog. Its invaluable source of information for everyone looking to repair their unit. You should look for Owners Manual. After placing order well send You download instructions on Your email address. All circuit diagrams, lubrication, disassembly, replacement, reassembly parts, printer troubleshooting, adjustment, printer repair are provided in PDF. Troubleshooting is described according to problem descriptions as well as error indications by the status indicator, Appendix Block diagrams, location and signal assignment, Circuit diagrams. Service Manual Printers Canon BJC7000, BJC7004 Contents Safety and Precautions, Product Specifications, Operating Instructions, Technical Reference, Maintenance. Contents Product specifications, Maintenance, operation, Troubleshooting This part explains how to resolve problems of the unit, and contains information on how to locate and replace serviceable units and parts.





Parts catalog, Circuit Diagram. Service Manual Desktop Page Laser Printer Canon LBP1260  
Contents General description, Operation and timing, The mechanical system Disassembly,  
Reassembly and adjustment procedures, Installation, Maintenance and servicing, Troubleshooting,  
Appendix General timing chart, General circuit diagram, PSB circuit diagrams. Parts catalog  
LBP1760, LBP1760e. Circuit Diagram LBP1760, LBP1760e. Parts catalog LBP3000, LBP2900 series.  
Circuit Diagram LBP3000, LBP2900 series. Contents Product description, Technical reference,  
Disassembly and assembly, Maintenance and inspection, Troubleshooting, Appendix. By parts code  
you can check what other devices it is used. You can print your Parts List or export to Excel to  
further work with it. We only help you to create your parts list for request from your suppliers. Add  
your headers and comments. Use saved Parts Lists as templates to create new lists. Change the  
contents of the old list and save it as new. You can add, delete list items, change headers, comments  
and quantity of spare parts. This page requires Javascript. Modify your browsers settings to allow  
Javascript to execute. See your browsers documentation for specific instructions. To install your  
download click on the name of the downloaded file. Scroll down to see your support options. You can  
also click one of these links to search our extensive Knowledge Base or visit the Canon Community  
Forum. The driver may be included in your OS or you may not need a driver. Recommended Drivers  
File Name Date File Size Optional Drivers File Name Date File Size Recommended Software File  
Name Date File Size Optional Software File Name Date File Size Recommended Manuals File Name  
Date File Size Optional Manuals File Name Date File Size Scroll down to easily select items to add to  
your shopping cart for a faster, easier checkout. Visit the Canon Online Store Tired of trying to make  
your handwriting legible in order to illustrate a point.

For your next important meeting, you can make impressive charts and graphs with these clear,  
overhead transparencies, printed right from your Canon Color Bubble Jet printer. Package includes  
50 sheets. Optimize output resolution to create nearphotographic images. This paper is great when  
you want highquality color output to produce winning reports and eye-catching graphics. Use with  
genuine Canon Photo Inks for true photoquality output. Package includes 100 sheets. Please try  
again. Please try again. Then you can start reading Kindle books on your smartphone, tablet, or  
computer no Kindle device required. Register a free business account If you are a seller for this  
product, would you like to suggest updates through seller support To calculate the overall star

rating and percentage breakdown by star, we don't use a simple average. Instead, our system considers things like how recent a review is and if the reviewer bought the item on Amazon. It also analyzes reviews to verify trustworthiness. And by having access to our ebooks online or by storing it on your computer, you have convenient answers with Free Service Manual For Canon Ir600. To get started finding Free Service Manual For Canon Ir600, you are right to find our website which has a comprehensive collection of manuals listed. Our library is the biggest of these that have literally hundreds of thousands of different products represented. I get my most wanted eBook Many thanks If there is a survey it only takes 5 minutes, try any survey which works for you. This manual does not provide sufficient information for disassembly and reassembly procedures. Refer to the graphics in the separate Parts Catalog. All trademarks and copyrights in the published materials belong to their respective owners.

<http://europeanprofservices.com/wp-content/plugins/formcraft/file-upload/server/content/files/162707a14c390d--bostitch-7aw-manual.pdf>

[art-electric.com/userfiles/727-manual-valve-body.pdf](http://art-electric.com/userfiles/727-manual-valve-body.pdf)

<https://labroclub.ru/blog/3x8-norstar-manual>